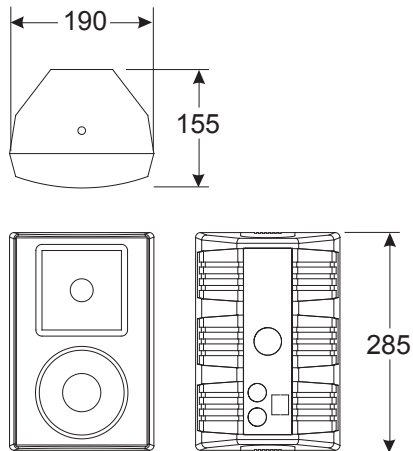


S O U N D P R O J E C T S

Gluon



TECHNICAL SPECIFICATIONS

System

Frequency response
Horizontal coverage
Vertical coverage
Powerhandling continuous
AMP Power (recom.)
Peak SPL (Cont.+6dB)
Transducers
Grille
Net weight

Gluon

45Hz-20kHz
90 degrees
60 degrees
50W @ 16ohm RMS
100W @ 16ohm
114 dB
5"/1"
Powder coated steel
grill
3.2kg