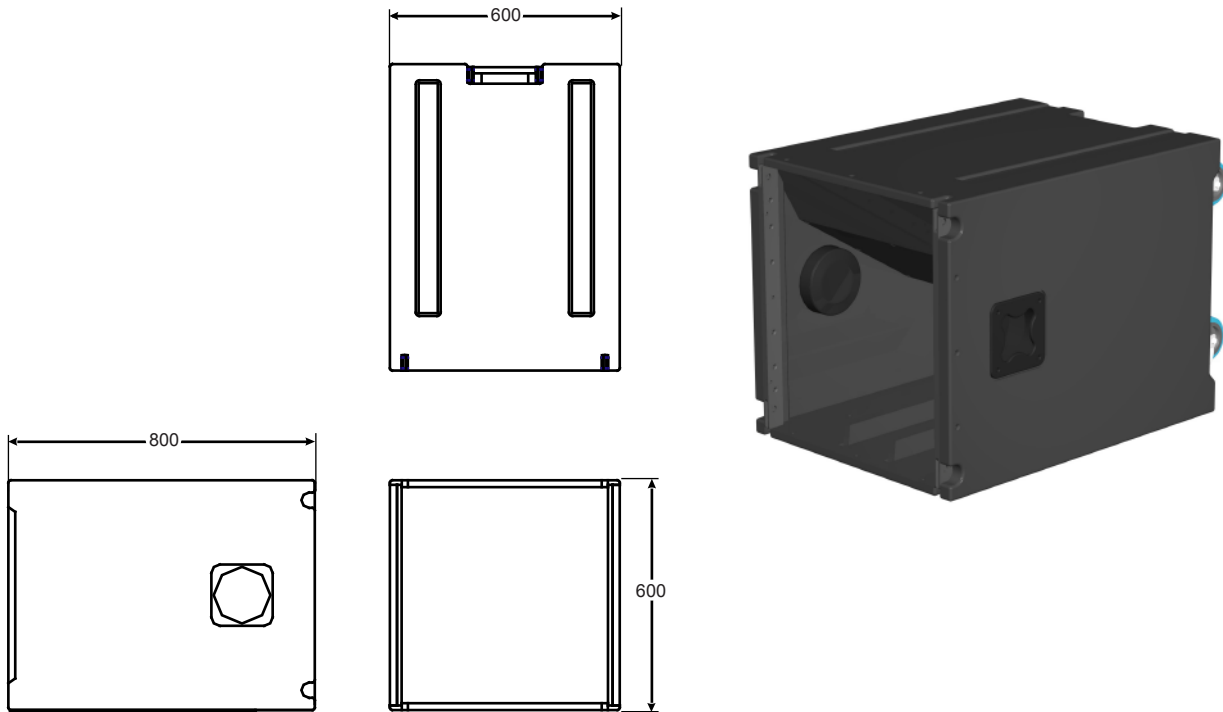


# SOUND PROJECTS

## SP2-10



### Preliminary data sheet

System	SP2-10
Frequency response	50Hz-200Hz
Horizontal coverage	Omni-directional
Vertical coverage	Omni-directional
AMP Power	2 x 600W @ 4ohm
Max. peak SPL (Cont.+6dB)	136 dB
Transducers	2x10"
Net weight	58kg